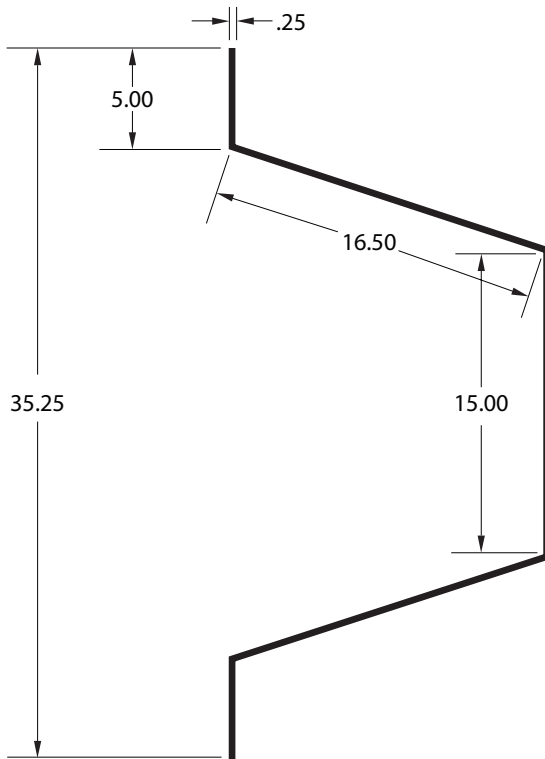


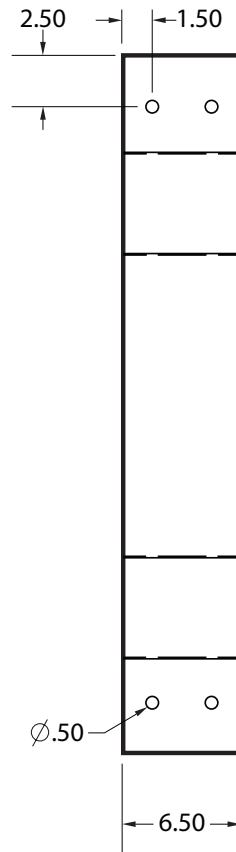
Typical installation shown

# WALL MOUNT GUARD

Part #: EVCS-GRD-A-01



TOP VIEW



SIDE VIEW

## PRODUCT FEATURES

Part Number:  
EVCS-GRD-A-01

- Protects wall mounted EV charging stations from vehicle impact
- More economical than installing bollard posts
- Fits well with most commercial charging station dimensions
- Constructed with 1/4" plate steel
- Powder-coated finish, bright yellow
- Easy installation  
(hardware not included)

