



Shown:
Dual Retractor



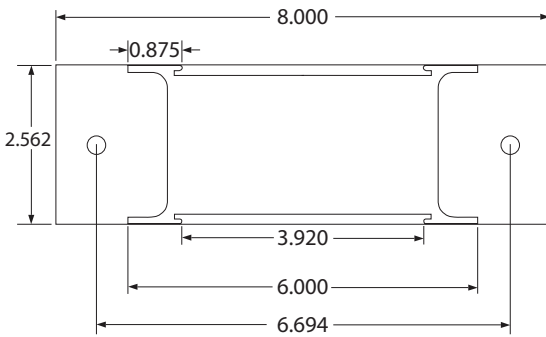
Fully-customizable branding options (shroud logo & slide-in panel)



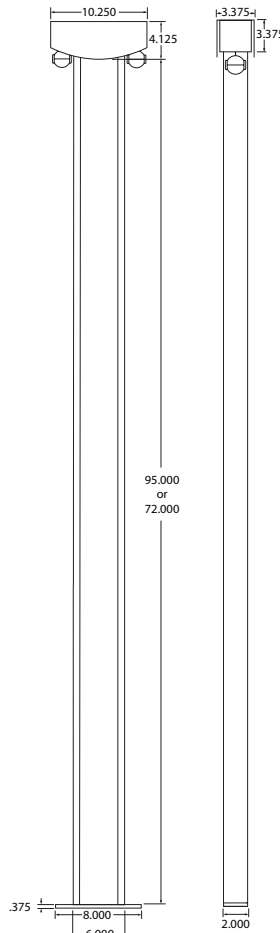
Bolt-on retractor allows for easy installation for different applications

EZ-PULL DUAL RETRACTOR

Part #: EVCS-72S(D)-R-XX • EVCS-95S(D)-R-XX



TOP VIEW



FRONT / BACK

SIDE

PRODUCT FEATURES

Part Number:

72" Single/Dual: EVCS-72S(D)-R-XX

95" Single/Dual: EVCS-95S(D)-R-XX

- Aluminum with stainless steel hardware
- Durable powder-coat finish
- Universal design mounts to a wall or pedestal
- Optional mounting base for use as a free-standing pedestal
- Branding options
- Models available for Level 2 & Level 3 cable sizes
- 72" Dual, 44lbs. — Up to 20' Cable
- 72" Single, 35 lbs. —
- 95" Dual, 75 lbs. — Up to 25' Cable
- 95" Single, 65 lbs. —

