

HCS Mounting Solutions

**Single-Mount Pedestal
w/convenience outlets**



**Pedestal with
Quad-Mount Kit**



**Pedestal with Dual-Mount
Kit and Extension Kit**

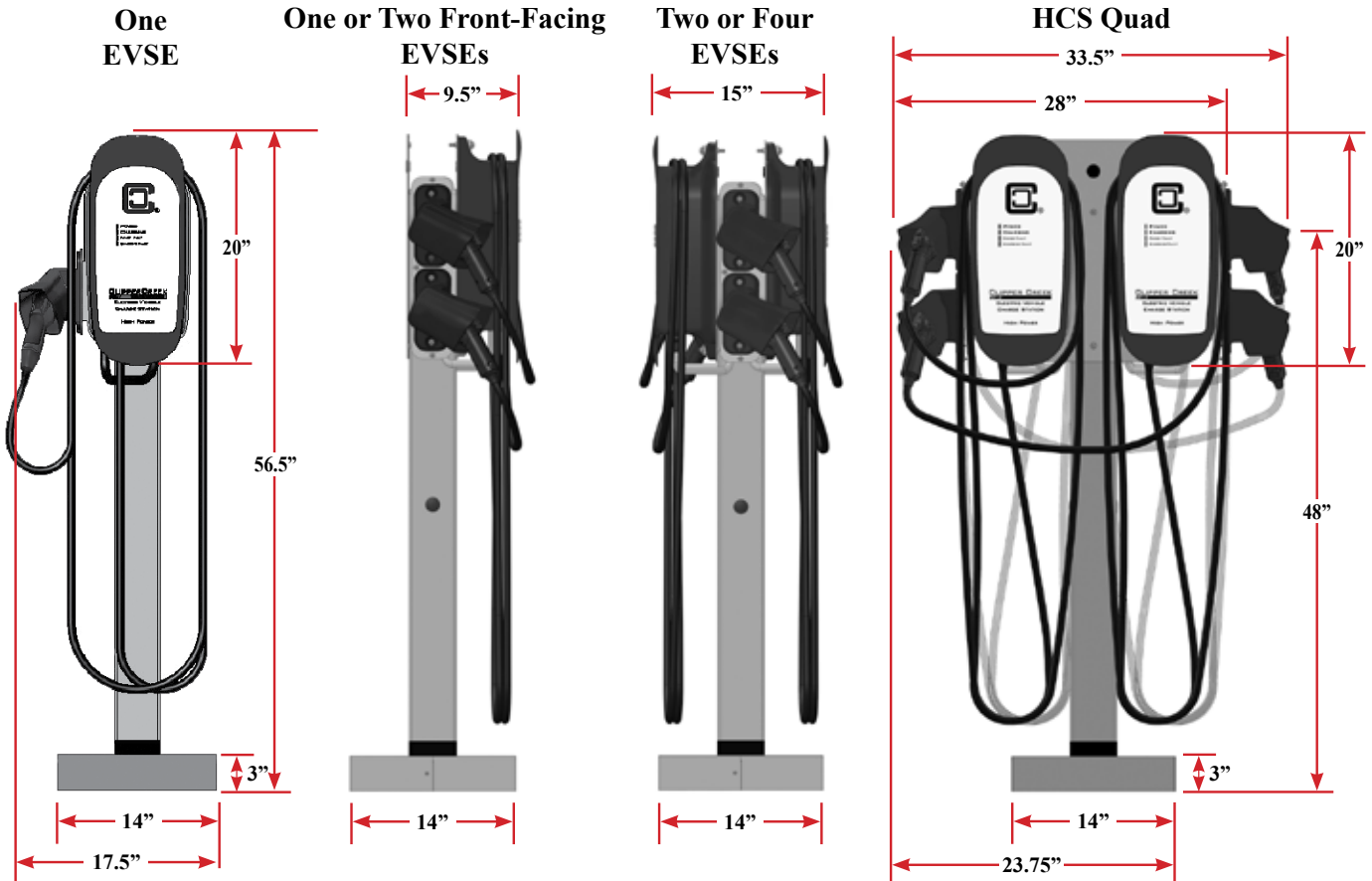


RUGGED, CONVENIENT INSTALLATION. ClipperCreek offers a variety of mounting options for the HCS charging station product line. Mount 1-4 stations on a pedestal with optional kits; Keep cables neat and safely off the ground with an extension kit. ClipperCreek's mounting solutions suit all commercial HCS installation needs at an affordable price.

- **LOW COST** - Minimize your installation costs and mount one to four units on a single pedestal
- **UNIVERSAL** - Industry standard bolt platform pattern to replace outdated charging stations
- **TOUGH** - Powder coated steel pedestal paired with NEMA 4, fully sealed charging stations
- **RELIABLE** - Backed by ClipperCreek's one-year warranty
- **CONVENIENT** - All units come equipped with 2 knockouts positioned for 120V convenience outlets

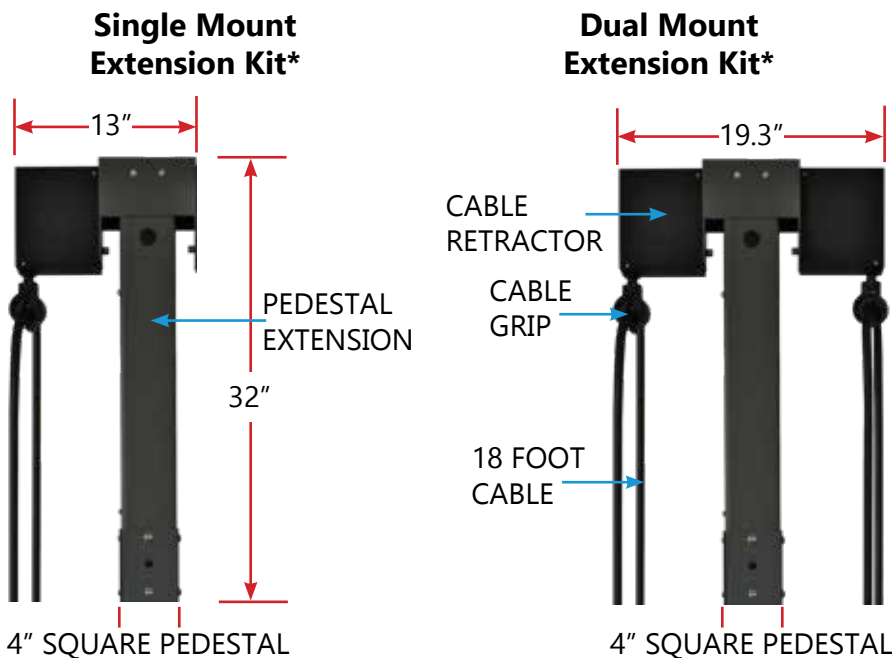
HCS PEDESTAL MOUNT

PRODUCT DIMENSIONS

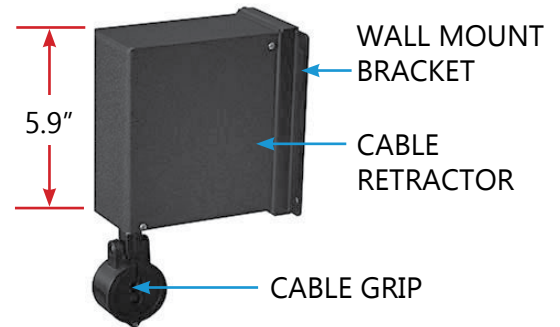


Add a cable management extension to the HCS Pedestal to keep the cables neat and off the ground.

*18 foot cables on the HCS and CS stations are required for use with the Extension Kits. Please request at time of purchase.



Wall Mount Cable Management Retractor also available.



Quad Cable Management Kits are also available if needed

CALL US TO ORDER TODAY!
585.533.4051
 7464 W. HENRIETTA ROAD | RUSH, NY 14543
 evCHARGEolutions.com™